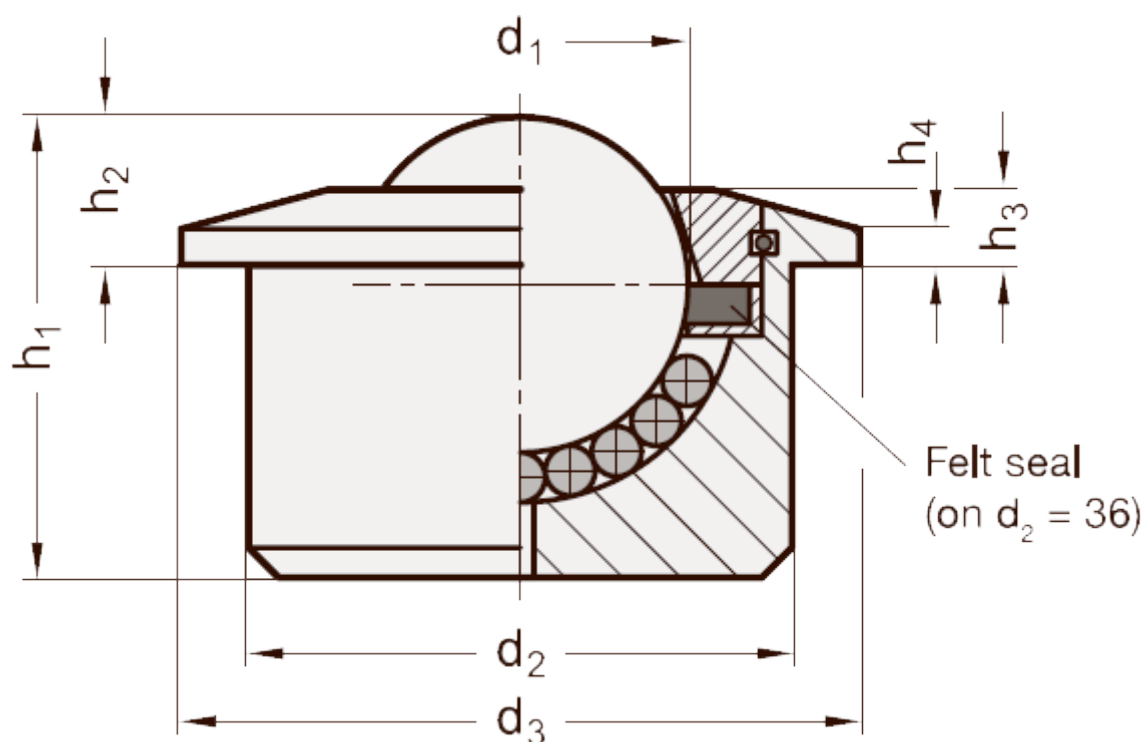


Article number: 20608038

Description: E+G Ball transfer unit
GN 509.1-45-SNI

Measures



d_1	= 44.4
$d_2 \pm 0.08$	= 62
d_3	= 75
$h_1 \pm 0.3$	= 53.5
$h_2 \pm 0.3$	= 19
$h_3 \pm 0.3$	= 9.5
h_4	= 5.5
Max load (N)	= 4500

Size	= 45
Weight in (g)	= 980